

EPS2020

Brochure

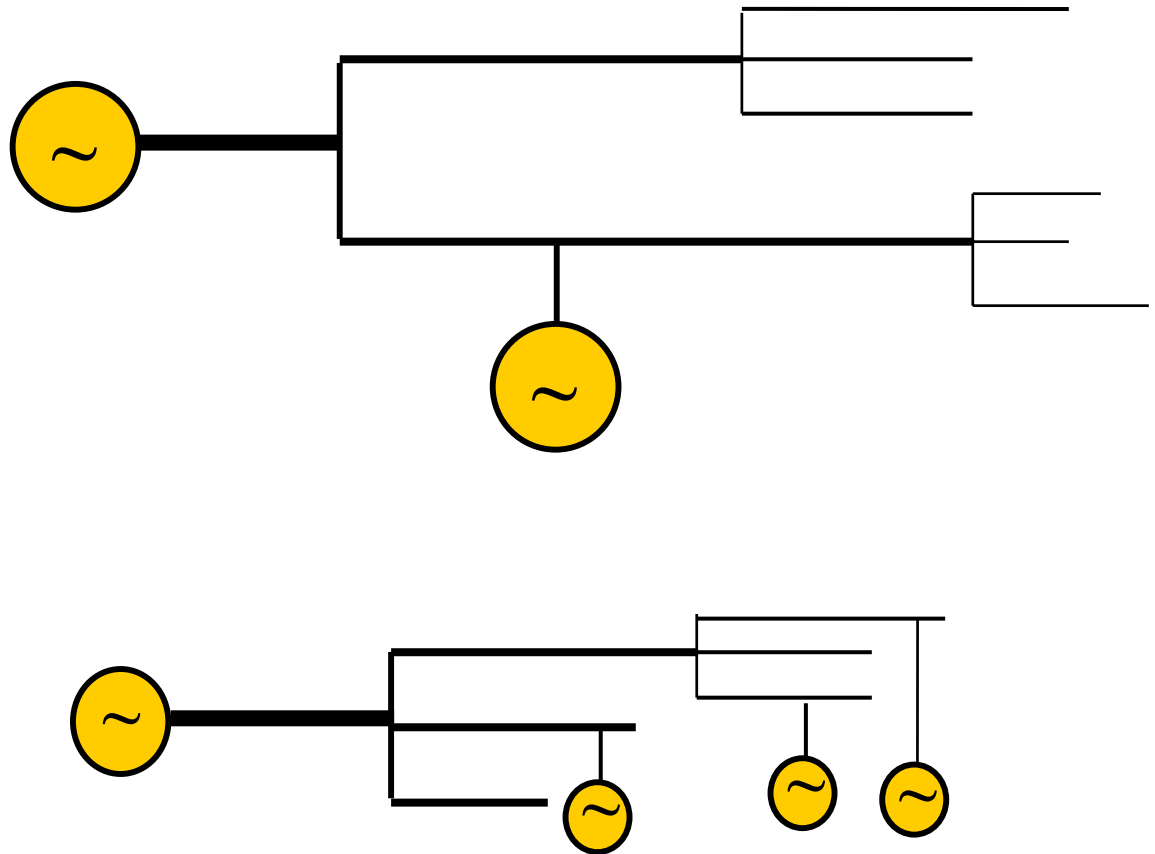
# Fig.1-Brochure EPS2020

- **The Challenge of Rural Electrification**



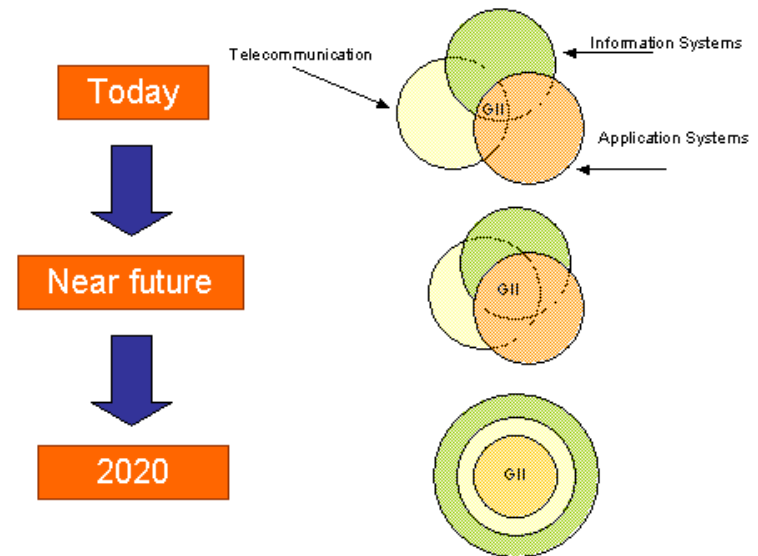
# Fig.2-Brochure EPS2020

- **“Distribution” and “Mixtribution” Scenario**



# Fig.3

- Possible evolution of inter-relationships between communications, information systems and application support programs



GII – Global Information Infraestructure

Figure 2